



Food Boxes





Food Boxes

With optimum strength for serving and packaging all types of prepared foods. Unique design that does not allow food liquids to leak through its corners.

Closure to safely contain food

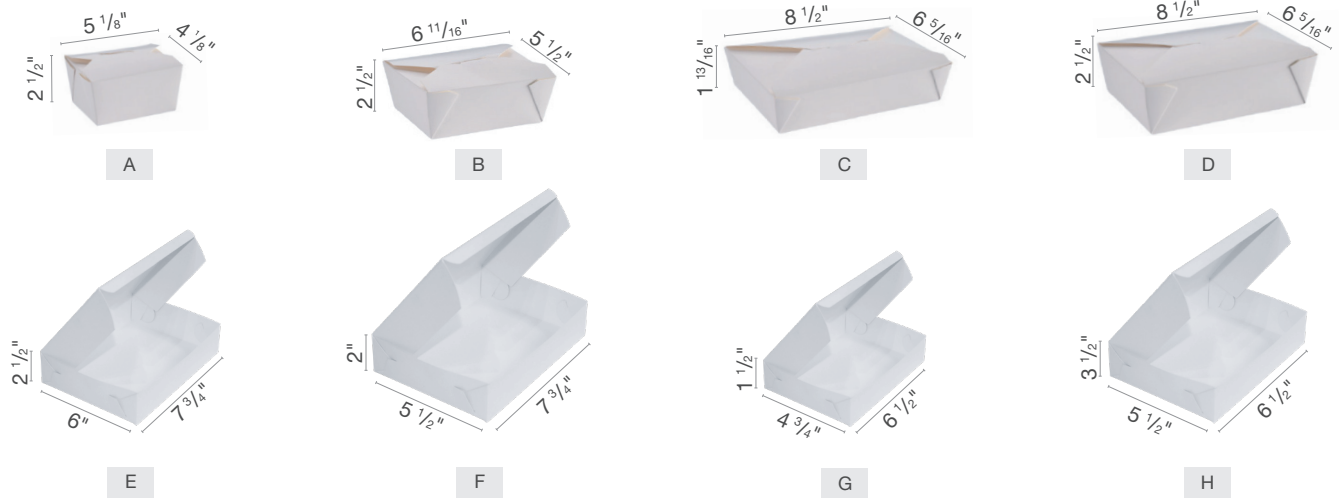
Grease and moisture-resistant.

Internal coating that resists grease and humidity.



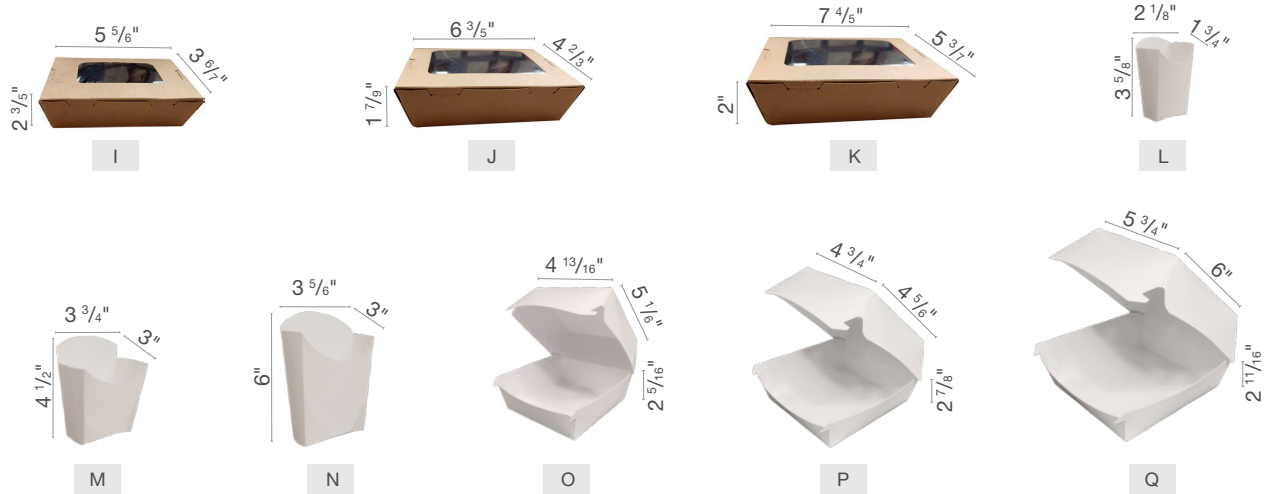


Food Boxes



Item #	Description	Case	Weight	Pallet	Cube	
A	<input type="radio"/> RPN02026101X	Darnel Naturals® 26 oz Take Out Box	450 ct / Pack x 50	47.8 lb	4 x 5	4,6 ft ³
	<input type="radio"/> RPN02026102X					
	<input type="radio"/> RPN02026101XC	Darnel Naturals® 26 oz Take Out Box	200 ct / Pack x 50	-	-	-
	<input type="radio"/> RPN02026102XC					
B	<input type="radio"/> RPN02045101X	Darnel Naturals® 45 oz Take Out Box	400 ct / Pack x 50	64.3 lb	5 x 2	6,7 ft ³
	<input type="radio"/> RPN02045102X					
	<input type="radio"/> RPN02045101XC	Darnel Naturals® 45 oz Take Out Box	200 ct / Pack x 50	-	-	-
	<input type="radio"/> RPN02045102XC					
C	<input type="radio"/> RPN02049101X	Darnel Naturals® 49 oz Take Out Box	300 ct / Pack x 50	70.9 lb	6 x 2	6,3 ft ³
	<input type="radio"/> RPN02049102X					
	<input type="radio"/> RPN02049101XC	Darnel Naturals® 49 oz Take Out Box	200 ct / Pack x 50	-	-	-
	<input type="radio"/> RPN02049102XC					
D	<input type="radio"/> RPN02066101X	Darnel Naturals® 66 oz Take Out Box	300 ct / Pack x 50	80.0 lb	4 x 4	6,3 ft ³
	<input type="radio"/> RPN02066102X					
	<input type="radio"/> RPN02066101XC	Darnel Naturals® 66 oz Take Out Box	200 ct / Pack x 50	-	-	-
	<input type="radio"/> RPN02066102XC					
E	<input type="radio"/> RPN020191501AX <input type="radio"/> RPN020191502AX	7.7" x 6.1" x 2.7" Foldable Take Out Box	Bag x 100 ct	-	-	-
F	<input type="radio"/> RPN020191401AX <input type="radio"/> RPN020191402AX	7.7" x 5.5" x 2.0" Foldable Take Out Box	Bag x 100 ct	-	-	-
G	<input type="radio"/> RPN020171201AX <input type="radio"/> RPN020171202AX	6.7" x 4.7" x 1.6" Foldable Take Out Box	Bag x 100 ct	-	-	-
H	<input type="radio"/> RPN020171401AX <input type="radio"/> RPN020171402AX	6.7" x 5.5" x 3.5" Foldable Take Out Box	Bag x 100 ct	-	-	-

Food Boxes



Item #	Description	Case	Weight	Pallet	Cube
I ● RPN02101202	Box with window lid #1 - 15 oz / 2 3/5" x 3 9/16" x 2 3/5"	300 ct / Pack x 50	11.4 lb	6 x 7	1,9 ft ³
J ● RPN02102202	Box with window lid #2 - 24 oz / 6 3/5" x 4 2/3" x 1 7/9"	300 ct / Pack x 50	14.9 lb	6 x 7	3,1 ft ³
K ● RPN02103202	Box with window lid #3 - 32 oz / 7 4/5" x 5 3/7" x 2"	300 ct / Pack x 50	20.9 lb	6 x 7	4,4 ft ³
L ○ RPN02P08201X ● RPN02P08202X	Darnel Naturals® 4.7 oz Small French Fries Box	600 ct / Pack x 100	22.7 lb	13 x 9	0,7 ft ³
M ○ RPN02P08701X ● RPN02P08702X	Darnel Naturals® 13.0 oz Medium French Fries Box	600 ct / Pack x 100	39.2 lb	7 x 7	1,9 ft ³
N ○ RPN02P12801X ● RPN02P12802X	Darnel Naturals® 21.9 oz Large French Fries Box	600 ct / Pack x 100	55.3 lb	4 x 9	2,4 ft ³
O ○ RPN0209301X ● RPN0209302X	Darnel Naturals® 17.4 oz Small Burger Box	300 ct / Pack x 50	11.6 lb	4 x 10	1,5 ft ³
P ○ RPN0209501X ● RPN0209502X	Darnel Naturals® 21.0 oz Medium Burger Box	300 ct / Pack x 50	12.7 lb	4 x 10	1,8 ft ³
Q ○ RPN02011401X ● RPN02011402X	Darnel Naturals® 27.7 oz Large Burger Box	300 ct / Pack x 50	15.8 lb	4 x 10	2,1 ft ³

ECO-DARNEL

Our products are recyclable, as well as their packaging box.

STORAGE

Store in a dry, cool and ventilated place without exposure to direct sunlight.

MATERIAL

Made from food grade virgin paper pulp.

Color:



White

Mocha