



Sustainable Product

FlipPack



100%

Recyclable

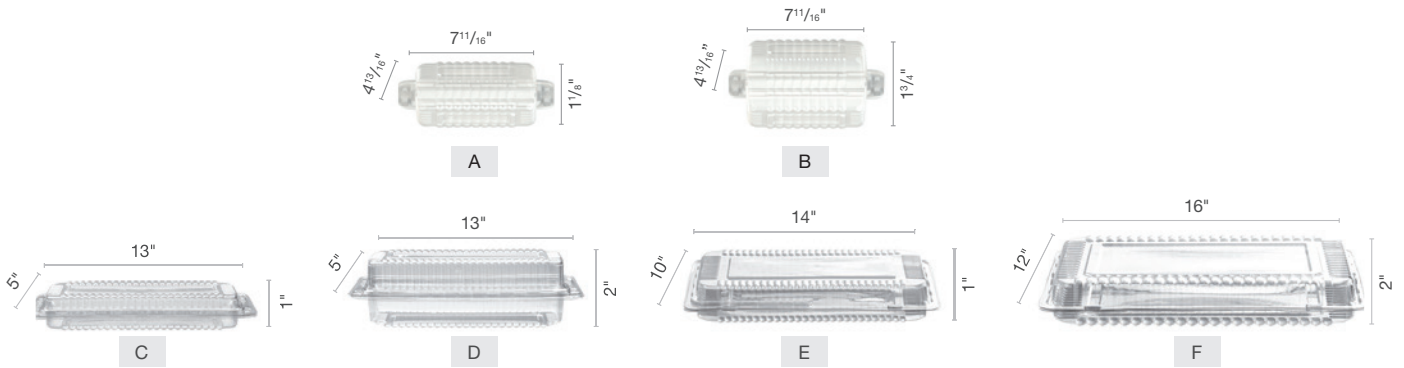
70%

Post-consumer
PET content

-55%

Lower carbon
footprint

FlipPack



Item #	Description	Box	Peso	Weight	Cube
A	<input type="radio"/> DC07705030100 <input checked="" type="radio"/> DC07705030199 resq® 5" x 3" Short Lid Lid/Base FlipPack	100 ct / Pack x 50	3.1 lb	18 x 11	0.5 ft³
B	<input type="radio"/> DC07705030200 <input checked="" type="radio"/> DC07705030299 resq® 5" x 3" Tall Lid Lid/Base FlipPack	100 ct / Pack x 50	3.6 lb	12 x 11	0.5 ft³
C	<input type="radio"/> DC07710030100 <input checked="" type="radio"/> DC07710030199 resq® 10" x 3" Short Lid Lid/Base FlipPack	100 ct / Pack x 50	4.2 lb	10 x 7	0.7 ft³
D	<input type="radio"/> DC07710030200 <input checked="" type="radio"/> DC07710030299 resq® 10" x 3" Tall Lid Lid/Base FlipPack	100 ct / Pack x 50	5.0 lb	10 x 7	0.8 ft³
E	<input type="radio"/> DC07712070100 <input checked="" type="radio"/> DC07712070199 resq® 12" x 7" Lid/Base FlipPack	100 ct / Pack x 50	10.0 lb	10 x 7	1.2 ft³
F	<input type="radio"/> DC07714100100 <input checked="" type="radio"/> DC07714100199 resq® 14" x 10" Lid/Base FlipPack	100 ct / Pack x 50	17.5 lb	8 x 5	2.1 ft³

ECO-DARNEL

FlipPack contain at least 70% post-consumer recycled PET. At Darnel we have recycled billions of bottles. All our products are 100% recyclable, as well as their packaging. We use 100% recycled cardboard (80% post-consumer).

FOOD STANDARDS

All our products are manufactured according FDA (Food and Drug Administration) standards for food contact according to Regulation 21 CFR 177.1630.



MATERIAL

Polyethylene terephthalate (PET). Products 100% hygienic and resistant. Its compact texture prevents leaks and bacteria buildup.

