



Sustainable Product

VisualPack Cupcake & Muffin Containers



100%

Recyclable

70%

Post-consumer
PET content

-55%

Lower carbon
footprint

An environmentally, socially and economically sustainable product line

At Darnel we found a way to protect the environment by giving plastic a new opportunity.

resq[®] products are manufactured with:

- A minimum of 70% post-consumer recycled material sourced from bottles and packaging.
- Our material is suitable for food contact according to FDA regulations.
- We use less natural resources such as water and virgin raw material in their production process.
- They have 40% less carbon footprint during their life cycle than equivalent carton and paperboard packaging.
- They generate 55% fewer emissions than virgin product.
- We use 95% less water in their production than equivalent carton and paperboard packaging.



resq[®] makes the circular economy a reality.

In addition, **we reduce the amount of waste that ends up in landfills, or worse, in rivers and oceans.** And best of all, Darnel **resq[®]** products can be recycled over and over again to produce new packaging or other products such as clothes or rugs, thus reducing the amount of virgin raw material extracted from the planet.



resq[®] is a commitment to the environment and the communities that we serve.

Darnel has already recycled the equivalent of over THREE BILLION plastic bottles.

We design our factories and products to reduce our environmental footprint. We have ISO 14001 certification in environmental management and our production centers are certified Zero Waste level Gold.



We support hundreds of families who make a living from recycling.

We obtain recycled material from hundreds of families who make a living from recycling. Collecting these materials represents, in many cases, their only opportunity for economic development. And thanks to their efforts, many entrepreneurs have created hundreds of recycling centers throughout the region.

VisualPack Cupcake & Muffin Containers

Perfect containers for the individual or shared smallest desserts. High visibility options with secure fit buttons.

Various presentations

Vast number of SKUs to expand packaging options.

Unbreakable

Designed to protect and showcase decoration



Lid with secure closure buttons

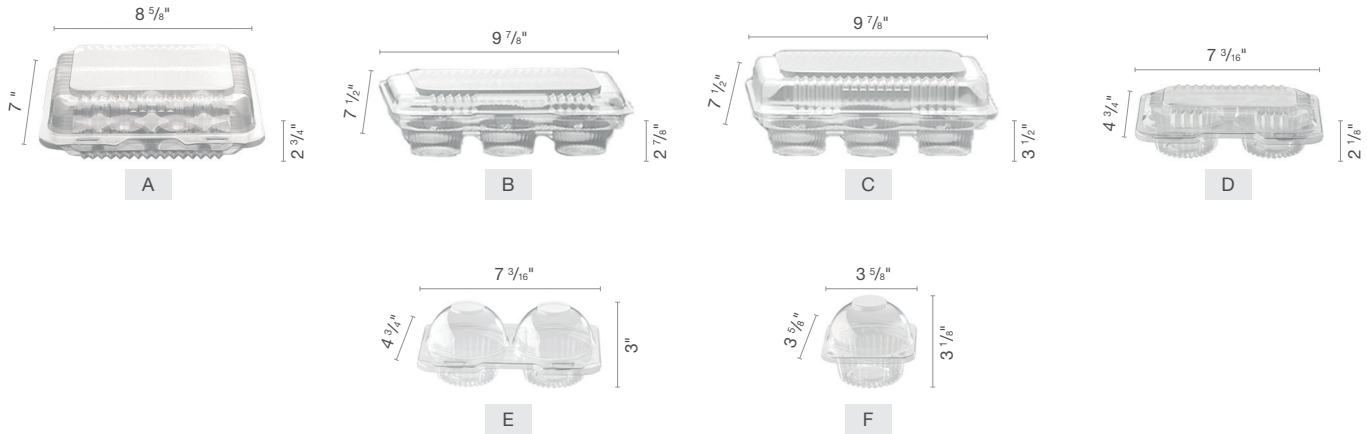
Perfect fit buttons to better protect contents.

High visibility

Greater transparency for a more attractive display, highlighting product appearance and decoration.



VisualPack Cupcake & Muffin Containers



Item #	Description	Case	Weight	Pallet	Cube
A ● D720VJ1200	resq® VJ-12 VisualPack Cupcake & Muffin Container	200 ct / Pack x 100	19.2 lb	9 x 5	2.1 ft ³
B ● D720VN600TB	resq® VN-6 Low Lid VisualPack Cupcake & Muffin Container	200 ct / Pack x 100	21.2 lb	4 x 9	2.4 ft ³
C ● D720VN600	resq® VN-6 High Lid VisualPack Cupcake & Muffin Container	200 ct / Pack x 100	23.6 lb	4 x 9	2.4 ft ³
D ● D720VI200TB	resq® VI-Muffin VisualPack Cupcake & Muffin Container	200 ct / Pack x 100	7.3 lb	10 x 12	0.9 ft ³
E ● D720VI200TC	resq® VI Cupcake VisualPack Cupcake & Muffin Container	200 ct / Pack x 100	8.9 lb	7 x 12	1.3 ft ³
F ●	resq® VI-1A Cupcake Diameter Base 2" VisualPack Cupcake & Muffin Container	200 ct / Pack x 100	4.2 lb	12 x 11	0.7 ft ³
	resq® VI-1A Cupcake Diameter Base 2 5/16" VisualPack Cupcake & Muffin Container				

ECO-DARNEL

VisualPack Cupcake & Muffin Containers contain at least 70% post-consumer recycled PET. At Darnel we have recycled billions of bottles. All our products are 100% recyclable, as well as their packaging. We use 100% recycled cardboard (80% post-consumer).

FOOD STANDARDS

All our products are manufactured according FDA (Food and Drug Administration) standards for food contact according to Regulation 21 CFR 177.1630.



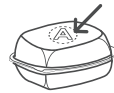
MATERIAL

Polyethylene terephthalate (PET). Products 100% hygienic and resistant. Its compact texture prevents leaks and bacteria buildup.

Color:



Clear



Printable and Embossable